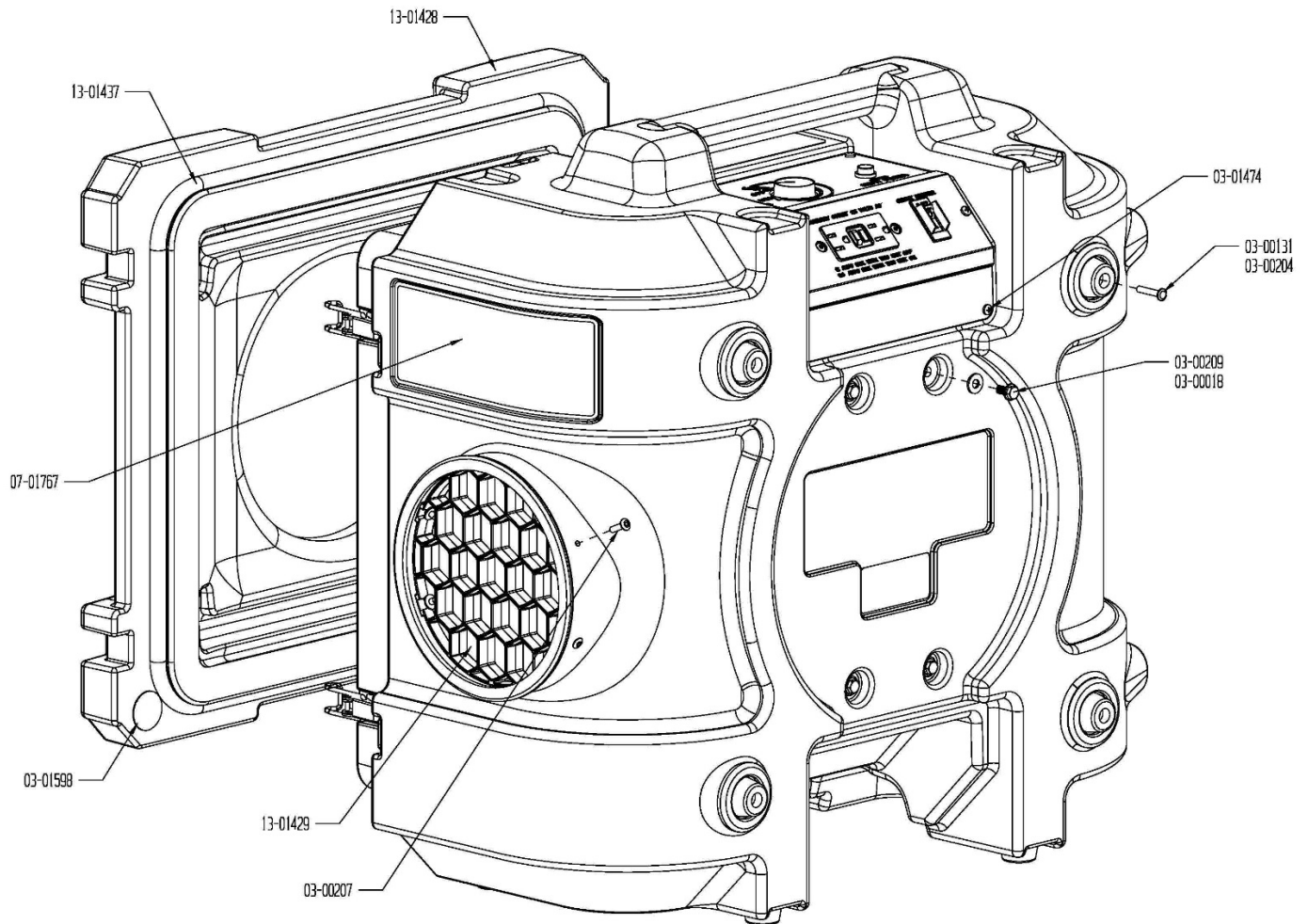


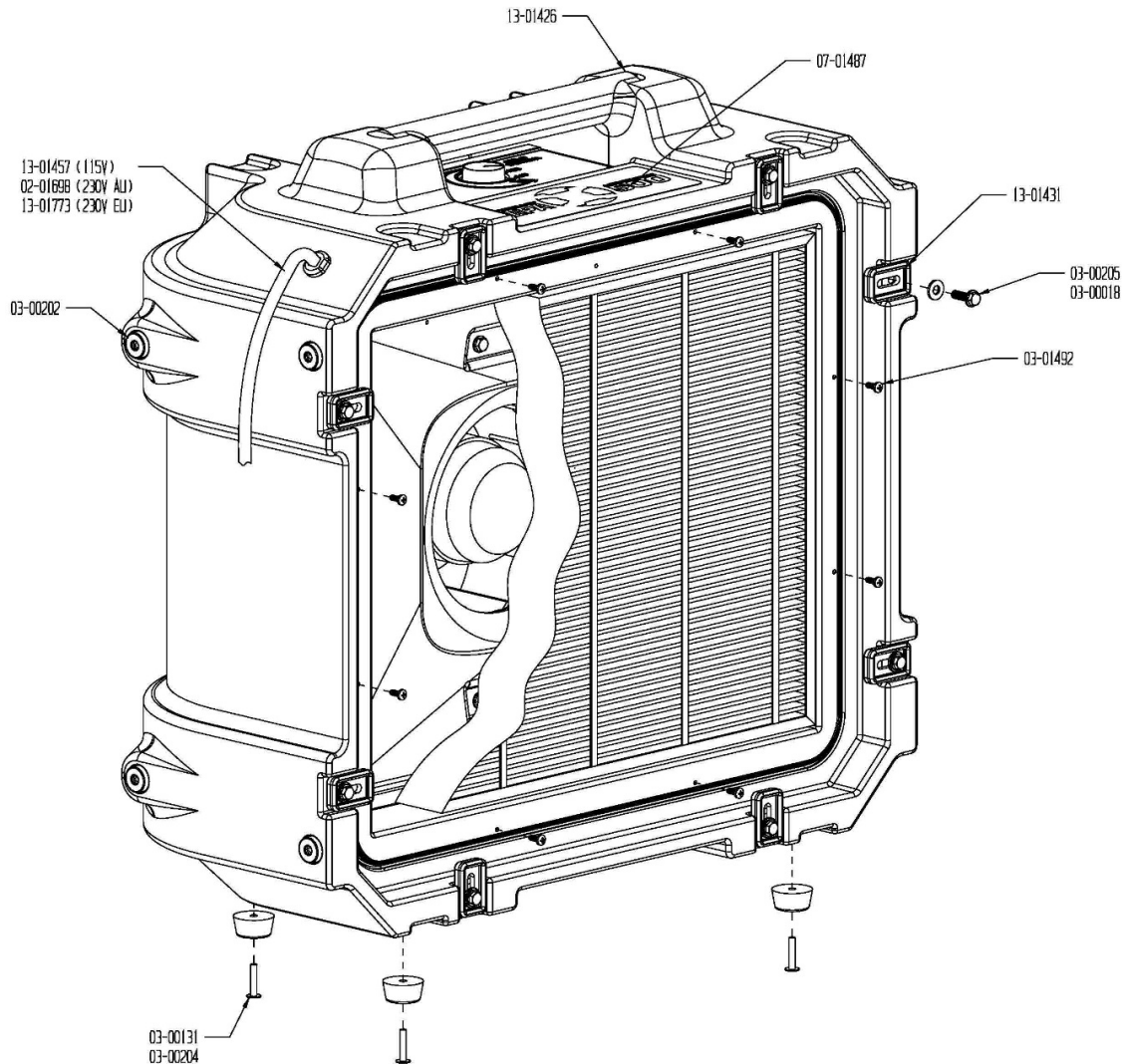
114178 (F284) DEFENDAIR HEPA 500

115V & 230V PARTS LIST

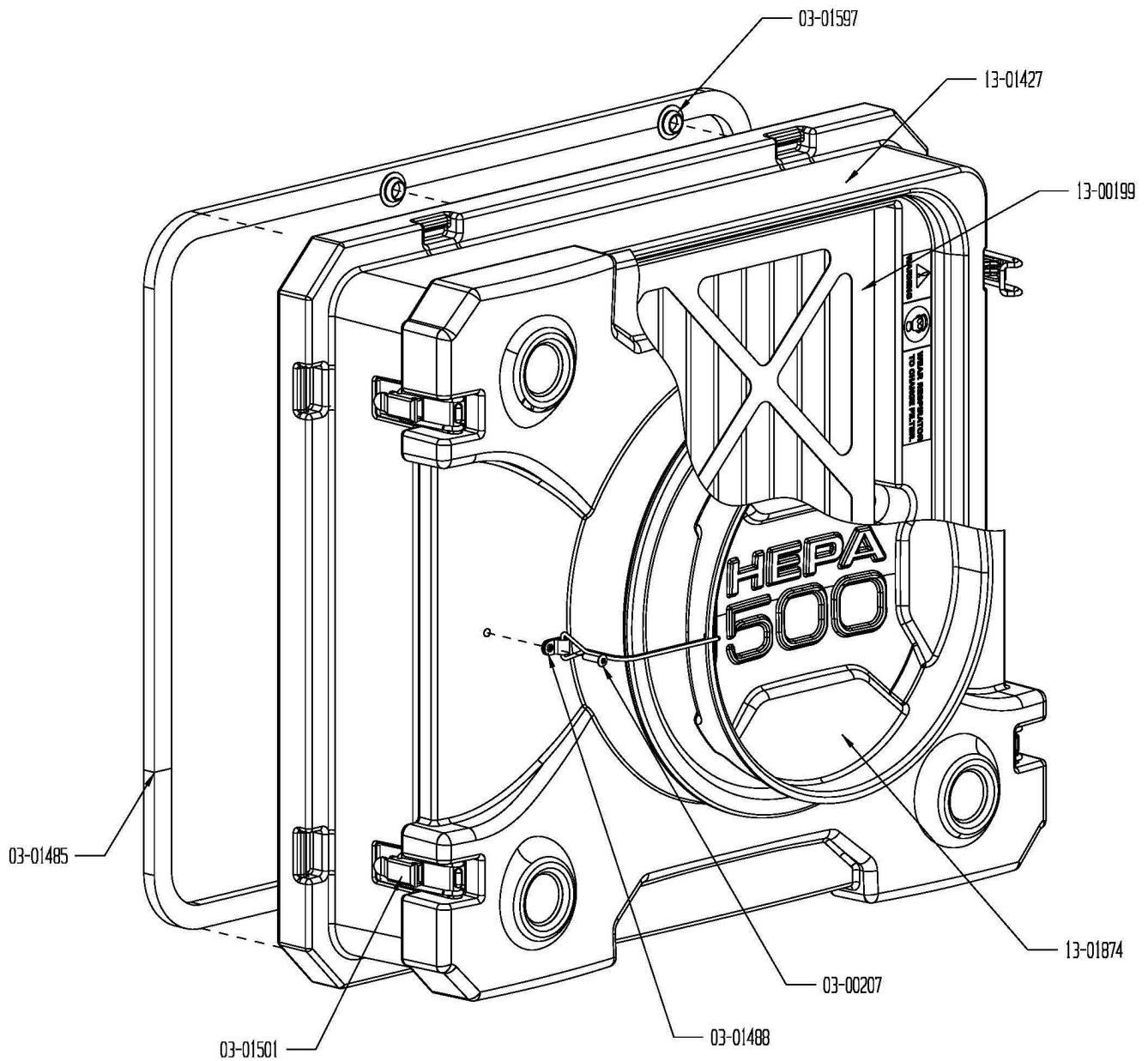




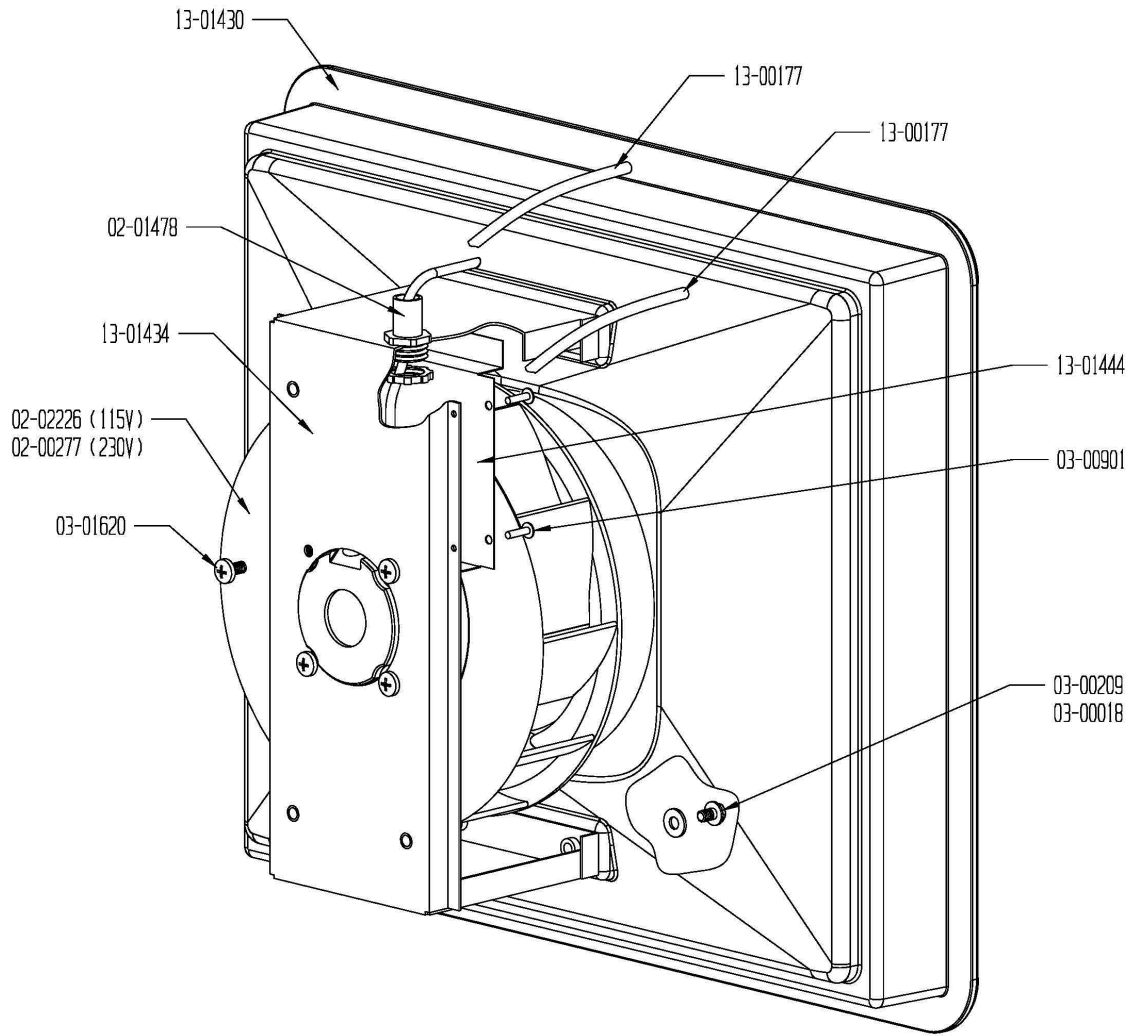
| NEW PART NO. | OLD PART NO. | QTY | DESCRIPTION |
|--------------|--------------|-----|--|
| - | - | | - UNIVERSAL COMPONENTS - |
| 123048 | 03-00018 | 4 | WASHER - 1/4 SAE .281 ID X .625 OD X .06 ZP |
| 106508 | 03-00131 | 4 | FOOT - ROUND 3/16 ID X 1.25 OD X 5/8 RUBBER BLK |
| 112015 | 03-00204 | 4 | RIVET - 3/16 X 5/8 TRI FOLD AL/AL |
| 112013 | 03-00207 | 4 | RIVET - 3/16 X 3/8 TRI FOLD AL/AL |
| 114457 | 03-00209 | 4 | SCREW - 1/4 -20 X 1/2 SER HWH NYLOC ZP |
| 112358 | 03-01474 | 6 | SCREW - #8 X 1/2 PHP ZP BLK |
| 110896 | 03-01598 | 1 | PLUG - HOLE .88 DIA X .25 NYLON BLK |
| 117950 | 07-01767 | 1 | LABEL - WARNING |
| 115056 | 13-01428 | 1 | DOOR - INLET POLYETHYLENE FISHER BLU DEFENDAIR HEPA 500 |
| 115079 | 13-01429 | 1 | GRILL - OUTLET ABS BLK DEFENDAIR HEPA 500 |
| 112558 | 13-01437 | 1 | SEAL - DOOR .50 OD X .25 ID X 62 LONG SILICONE RUBBER DEFENDAIR HEPA 500 |



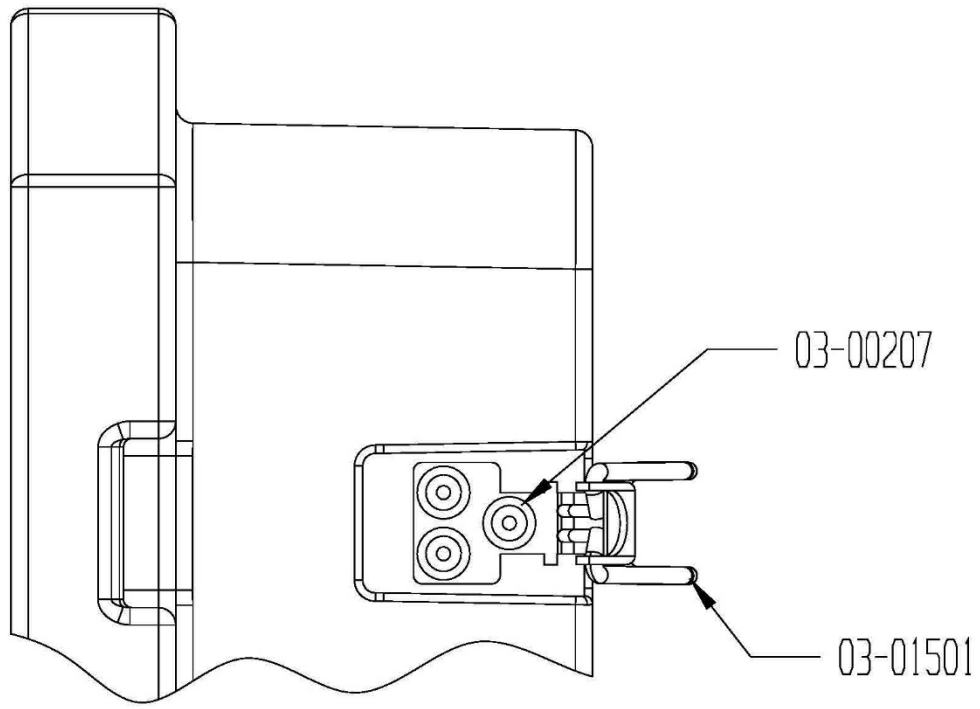
| NEW PART NO. | OLD PART NO. | QTY | DESCRIPTION |
|--------------------------------|--------------|-----|---|
| -- UNIVERSAL COMPONENTS -- | | | |
| - | - | - | FILTERS – PLEASE CONTACT SALES |
| 113263 | 02-00005 | 1 | STRAIN RELIEF - SNAP .400 DIA BLK (NOT CALLED OUT) |
| 123048 | 03-00018 | 8 | WASHER - 1/4 SAE .281 ID X .625 OD X .06 ZP |
| 106508 | 03-00131 | 4 | FOOT - ROUND 3/16 ID X 1.25 OD X 5/8 RUBBER BLK |
| 117008 | 03-00202 | 4 | FOOT - ROUND PUSH MOUNT .83 OD X .24 RUBBER BLK |
| 112015 | 03-00204 | 4 | RIVET - 3/16 X 5/8 TRI FOLD AL/AL |
| 112589 | 03-00205 | 8 | SCREW - 1/4-20 X 3/4 SER HWH NYLOC ZP |
| 114409 | 03-01492 | 8 | SCREW - #6 X 1/2 AB PHP ZP |
| 111791 | 13-01426 | 1 | REAR PANEL - POLYETHYLENE FISHER BLU DEFENDAIR HEPA 500 |
| 115987 | 13-01431 | 8 | CLIP - RETAINING NYLON BLK DEFENDAIR HEPA 500 |
| -- 115V SPECIFIC COMPONENTS -- | | | |
| 107371 | 07-01487 | 1 | LABEL - PRODUCT AIRSCRUBBER DEFENDAIR HEPA 500 (QR) |
| 117958 | 07-01763 | 1 | LABEL - WARNING POWER CORD FANS |
| 113326 | 13-01457 | 1 | POWER CORD ASSY - 14/3 SJTW 5-15P 25 FT DEFENDAIR HEPA 500 |
| -- 230V SPECIFIC COMPONENTS -- | | | |
| 111066 | 02-01698 | 1 | POWER CORD ASSY - 3 X 1.00M H07RNF AS3112 25FT HEPA 500 230V (AU) |
| 117897 | 07-01519 | 1 | LABEL - PRODUCT 230V DEFENDAIR HEPA 500 (QR) (NOT CALLED OUT) |
| 119054 | 08-00201 | 1 | POWER CORD ASSEMBLY - 3 X 1.50MM HO7RNF BS1363 25FT (UK – NOT CALLED OUT) |
| 113329 | 13-01773 | 1 | POWER CORD ASSY - 3 X 1.00M H07RN CEE7/7 25FT HEPA 500 230V (EU) |



| NEW PART NO. | OLD PART NO. | QTY | DESCRIPTION |
|--------------------------------|--------------|------|---|
| -- UNIVERSAL COMPONENTS -- | | | |
| 112013 | 03-00207 | 1 | RIVET - 3/16 X 3/8 TRI FOLD AL/AL |
| 105175 | 03-01485 | 6.38 | GASKET - .62 X .38 W/ RIBS EPDM PSA |
| 103594 | 03-01488 | 1 | CLAMP - CABLE .38 WIDE X .25 ID NYLON BLK |
| 108744 | 03-01501 | 4 | LATCH - PULL DOWN CLAMP 3 HOLE SS DEFENDAIR HEPA 500 |
| 118899 | 03-01597 | 2 | PLUG - HOLE .63 DIA X .25 NYLON BLK |
| 112751 | 13-01427 | 1 | SHROUD - PREFILTER POLYETHYLENE FISHER BLU DEFENDAIR HEPA 500 |
| -- 115V SPECIFIC COMPONENTS -- | | | |
| 103371 | 13-01874 | 1 | CAP ASSEMBLY - NON ROHS |
| -- 230V SPECIFIC COMPONENTS -- | | | |
| 102487 | 13-01874-01 | 1 | CAP ASSEMBLY - ROHS |

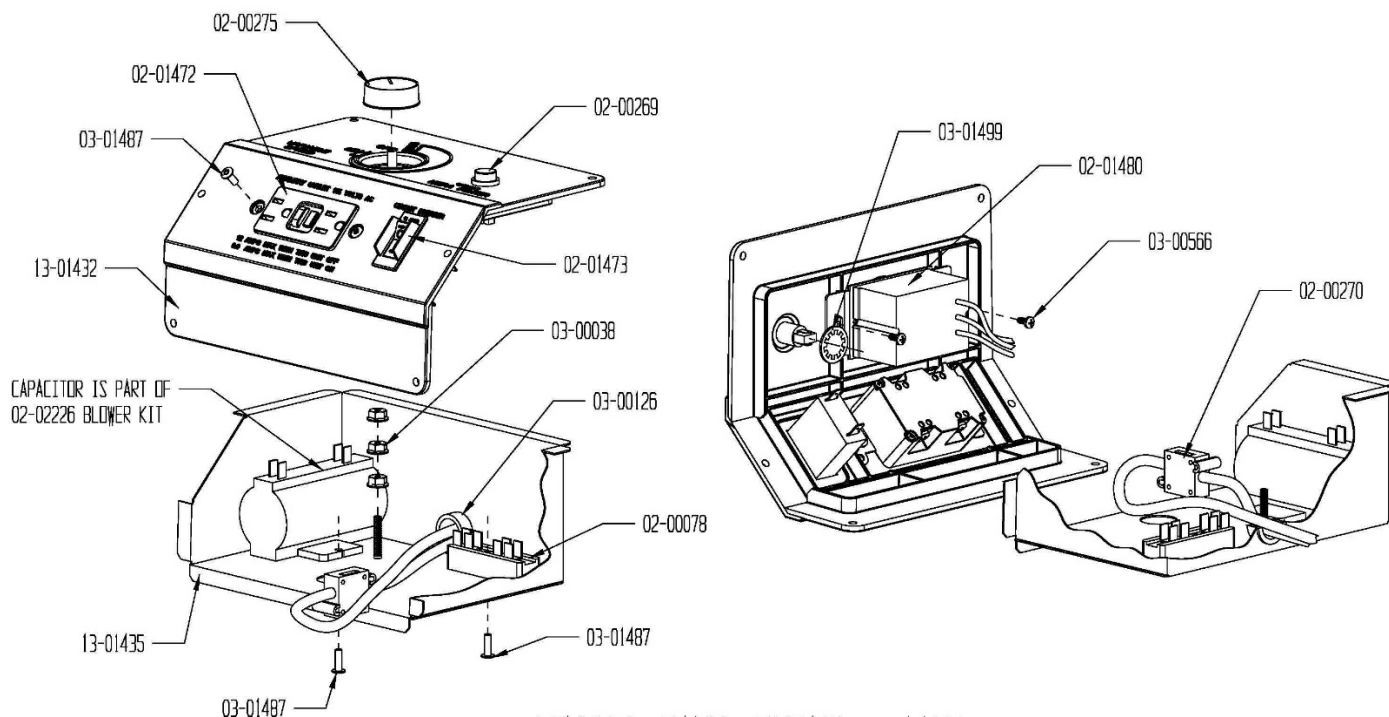


| NEW PART NO. | OLD PART NO. | QTY | DESCRIPTION |
|--------------------------------|--------------|--------|---|
| -- UNIVERSAL COMPONENTS -- | | | |
| 104661 | 02-01478 | 1 | FITTING - CONNECTOR 1/2 CONDUIT NIPPLE DIE CAST ZINC |
| 123048 | 03-00018 | 4 | WASHER - 1/4 SAE .281 ID X .625 OD X .06 ZP |
| 114457 | 03-00209 | 4 | SCREW - 1/4 -20 X 1/2 SER HWH NYLOC ZP |
| 111943 | 03-00901 | 4 | RIVET - 1/8 X 1/8 AL/AL |
| 112497 | 03-01620 | 4 | SCREW - M6 X 10MM PHIL PH NYLOC ZP |
| 120014 | 13-00177 | 1.6667 | TUBING - 1/8 ID X 1/4 OD CLEAR VINYL |
| 115082 | 13-01430 | 1 | PLENUM - HEPA ABS BLK DEFENDAIR HEPA 500 |
| 102641 | 13-01434 | 1 | BLOWER MOUNT - 16 GA GALV STL DEFENDAIR HEPA 500 |
| 112662 | 13-01444 | 1 | SHIELD - MOTOR WIRE ZP STL DEFENDAIR HEPA 500 |
| -- 115V SPECIFIC COMPONENTS -- | | | |
| 108413 | S595 | 1 | KIT - HEPA 500 REPLACEMENT BLOWER (INCLUDES 02-00268-AP BLOWER, 02-00250 CAPACITOR) |
| -- 230V SPECIFIC COMPONENTS -- | | | |
| 101720 | 02-00277 | 1 | BLOWER ASSY - MOTORIZED IMPELLER 230V 251W 2750RPM DEFENDAIR |
| 114395 | 13-01774 | 1 | SCREEN - OUTLET HEPA 500 |



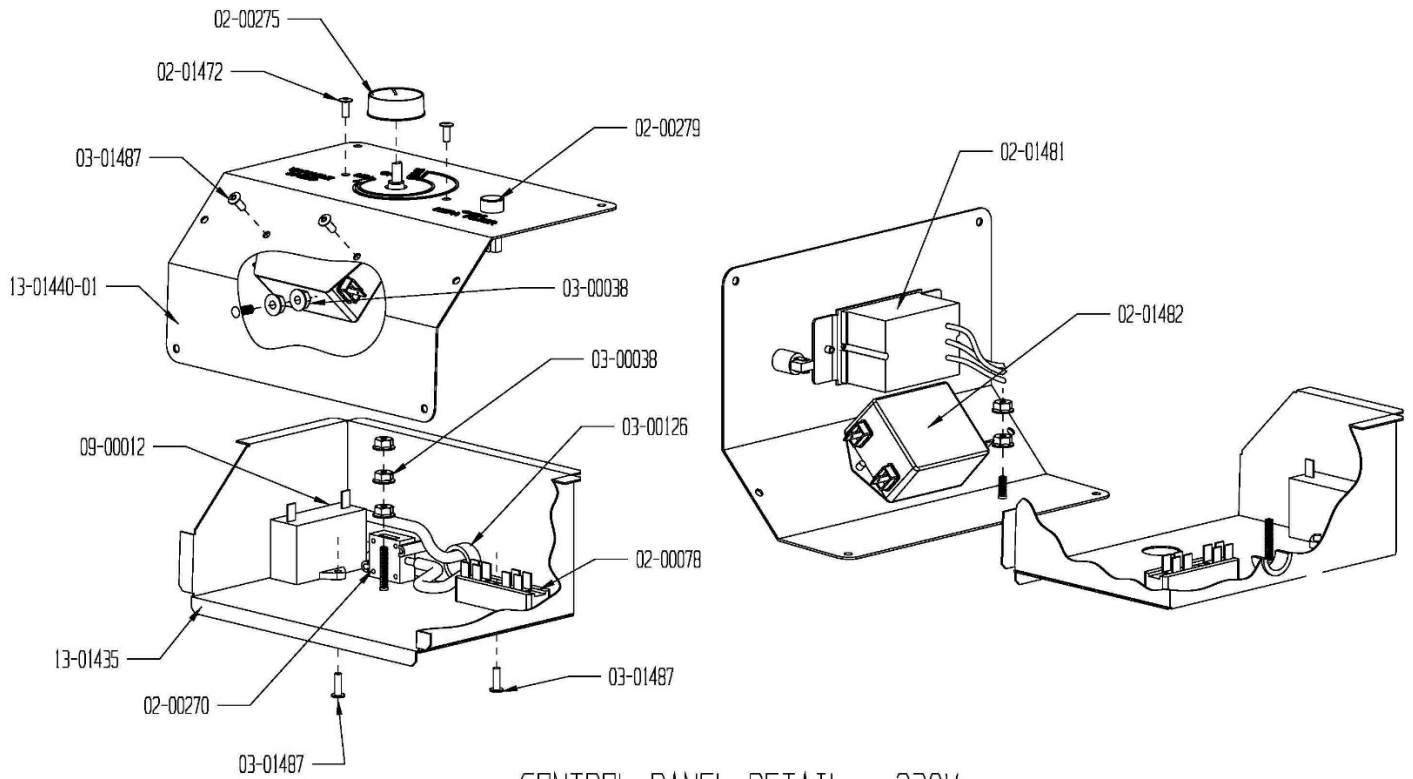
LATCH DETAIL

| NEW PART NO. | OLD PART NO. | QTY | DESCRIPTION |
|----------------------------|--------------|-----|--|
| -- UNIVERSAL COMPONENTS -- | | | |
| 112013 | 03-00207 | 12 | RIVET - 3/16 X 3/8 TRI FOLD AL/AL |
| 108744 | 03-01501 | 4 | LATCH - PULL DOWN CLAMP 3 HOLE SS DEFENDAIR HEPA 500 |



CONTROL PANEL DETAIL - 115V

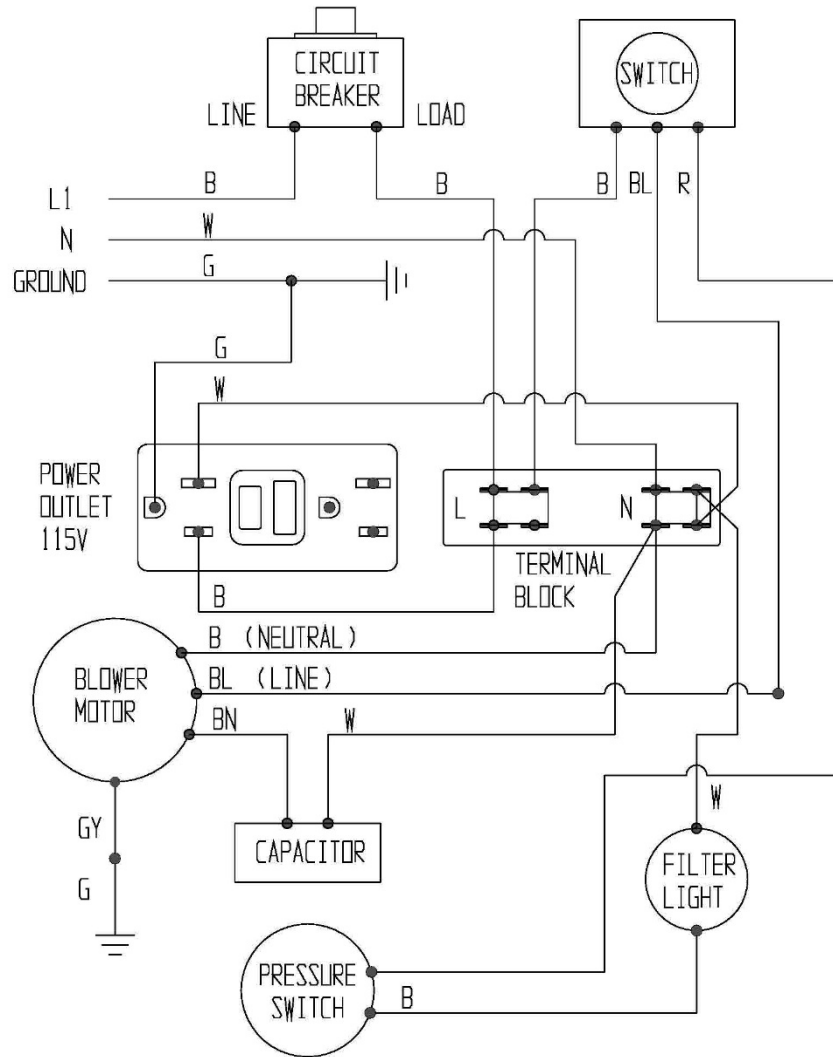
| NEW PART NO. | OLD PART NO. | QTY | DESCRIPTION |
|--------------------------------|--------------|-----|---|
| -- UNIVERSAL COMPONENTS -- | | | |
| 113692 | 02-00078 | 1 | TERMINAL BLOCK - GP 4 X 4 SCREW |
| 103276 | 03-00126 | 1 | BUSHING - .671 ID X.875 X.41 SPLIT NYLON BLK |
| 116158 | 13-01435 | 1 | ELECTRICAL BOX - GALV STL DEFENDAIR HEPA 500 |
| -- 115V SPECIFIC COMPONENTS -- | | | |
| 109721 | 02-00250 | 1 | CAPACITOR - 25MFD 370V 1.60 DIA ROUND W/ MTG BRKT (INCLUDED IN S595 BLOWER KIT. COMPATIBLE WITH 02-00268-AP BLOWER) |
| 118130 | 02-00269 | 1 | LIGHT - INDICATOR 125V NEON RED |
| 115756 | 02-00270 | 1 | SWITCH - PRESSURE DIFFERENTIAL 1.2 IN H2O |
| 107513 | 02-00275 | 1 | KNOB - SWITCH DEFENDAIR |
| 111834 | 02-01472 | 1 | RECEPTACLE - 15A W/ GFCI |
| 102771 | 02-01473 | 1 | CIRCUIT BREAKER - 12A W/ SWITCH MECHANICAL/HYDRAULIC |
| 113420 | 02-01480 | 1 | SWITCH ASSY - VARIABLE SPD TRIAC 125V DEFENDAIR |
| 102216 | 03-00012 | 1 | CABLE TIE - 4 NYLON |
| 123051 | 03-00038 | 3 | NUT - #10-24 W/STAR WASHER ZP |
| 114398 | 03-00566 | 2 | SCREW - #6 X3/8 PHIL PH ZP |
| 123076 | 03-01487 | 4 | RIVET - 5/32 X 1/4 TRI FOLD AL/AL BLK |
| 116608 | 03-01499 | 1 | WASHER - 1/2 INTERNAL TOOTH COPPER |
| 115071 | 13-01432 | 1 | FRAME FOR CONTROL PANEL 3 PC ABS BLK DEFENDAIR HEPA 500 |
| 116937 | 13-01436P | 1 | WIRE HARNESS - 115V DEFENDAIR HEPA 500 (NOT CALLED OUT) |



CONTROL PANEL DETAIL - 230V

| NEW PART NO. | OLD PART NO. | QTY | DESCRIPTION |
|--------------------------------|--------------|-----|---|
| -- UNIVERSAL COMPONENTS -- | | | |
| 113692 | 02-00078 | 1 | TERMINAL BLOCK - GP 4 X 4 SCREW |
| 103276 | 03-00126 | 1 | BUSHING - .671 ID X.875 X.41 SPLIT NYLON BLK |
| 116158 | 13-01435 | 1 | ELECTRICAL BOX - GALV STL DEFENDAIR HEPA 500 |
| -- 230V SPECIFIC COMPONENTS -- | | | |
| 115756 | 02-00270 | 1 | SWITCH- PRESSURE DIFFERENTIAL 1.2 IN H2O |
| 107513 | 02-00275 | 1 | KNOB- SWITCH DEFENDAIR |
| 108920 | 02-00279 | 1 | LIGHT - INDICATOR 230V NEON RED |
| 115748 | 02-01481 | 1 | SWITCH ASSY - VARIABLE SPD TRIAC 230V DEFENDAIR |
| 105512 | 02-01482 | 1 | FILTER - POWER LINE RFI 115/230V |
| 102216 | 03-00012 | 2 | CABLE TIE - 4 NYLON |
| 123051 | 03-00038 | 5 | NUT - #10-24 W/STAR WASHER ZP |
| 123076 | 03-01487 | 6 | RIVET - 5/32 X 1/4 TRI FOLD AL/AL BLK |
| 109724 | 09-00012 | 1 | CAPACITOR ASSY - 5MFD 375V BOX |
| 111865 | 13-01440-01 | 1 | PANEL - CONTROL 230V SS W/SILKSCREEN DEFENDAIR HEPA 500 |
| 116953 | 13-01441P | 1 | WIRE HARNESS -230V DEFENDAIR HEPA 500 (NOT CALLED OUT) |

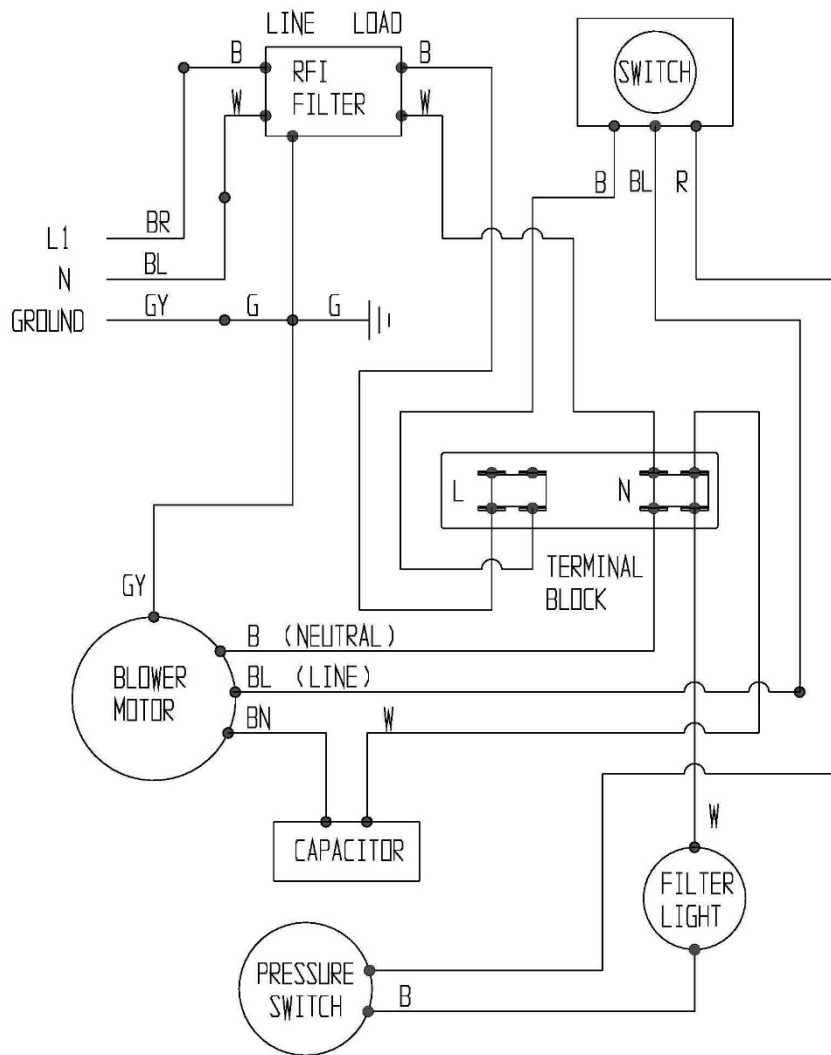
HEPA 500 - 115V 60HZ WIRING DIAGRAM



WIRING COLOR CODES

| | |
|-------------------|------------|
| B = black | W = white |
| G = green | BN = brown |
| R = red | BL = blue |
| GY = green/yellow | |

HEPA 500 - 230V 50HZ WIRING DIAGRAM



WIRING COLOR CODES

| | |
|-------------------|------------|
| B = black | W = white |
| G = green | BN = brown |
| R = red | BL = blue |
| GY = green/yellow | |